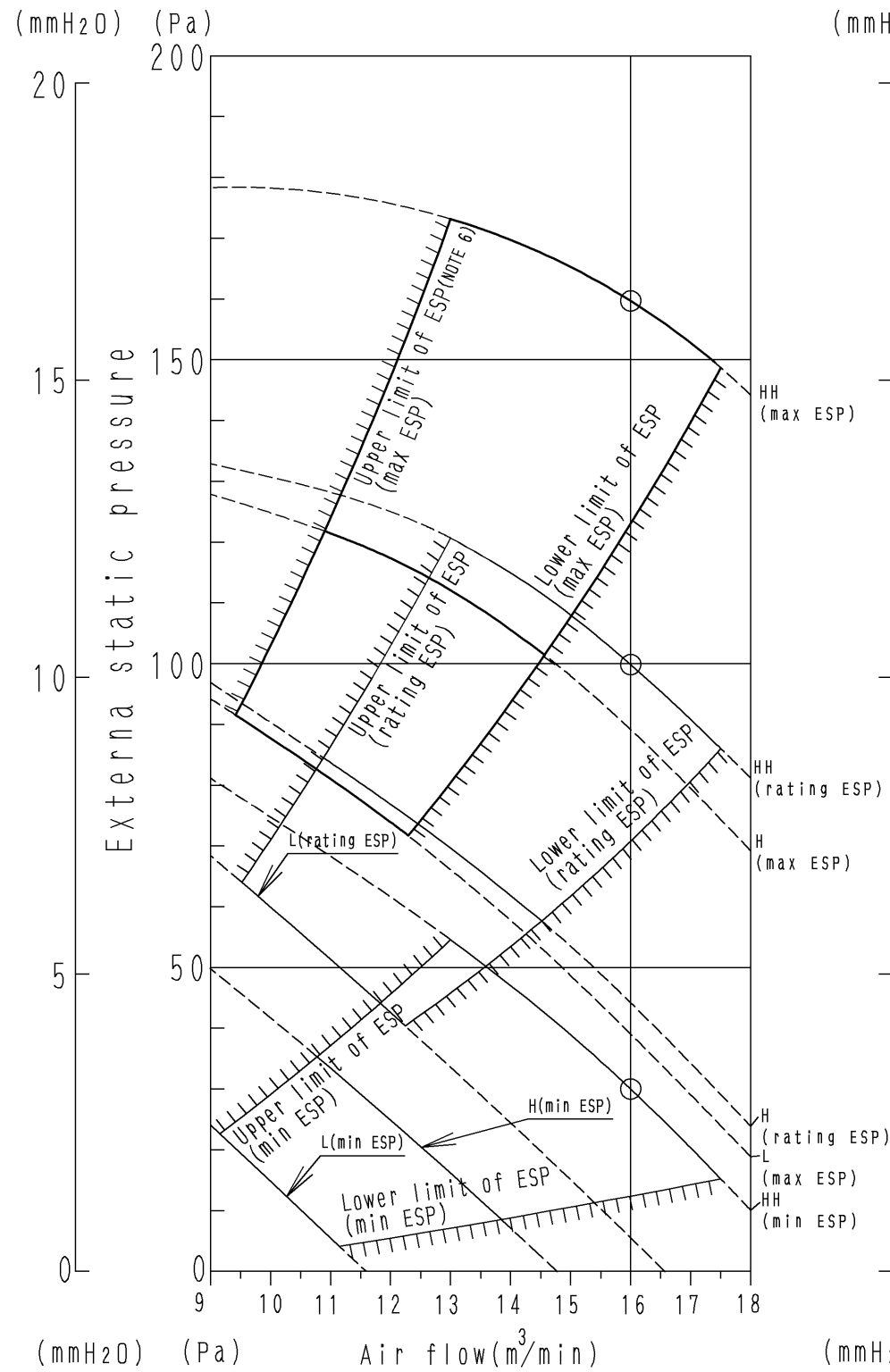
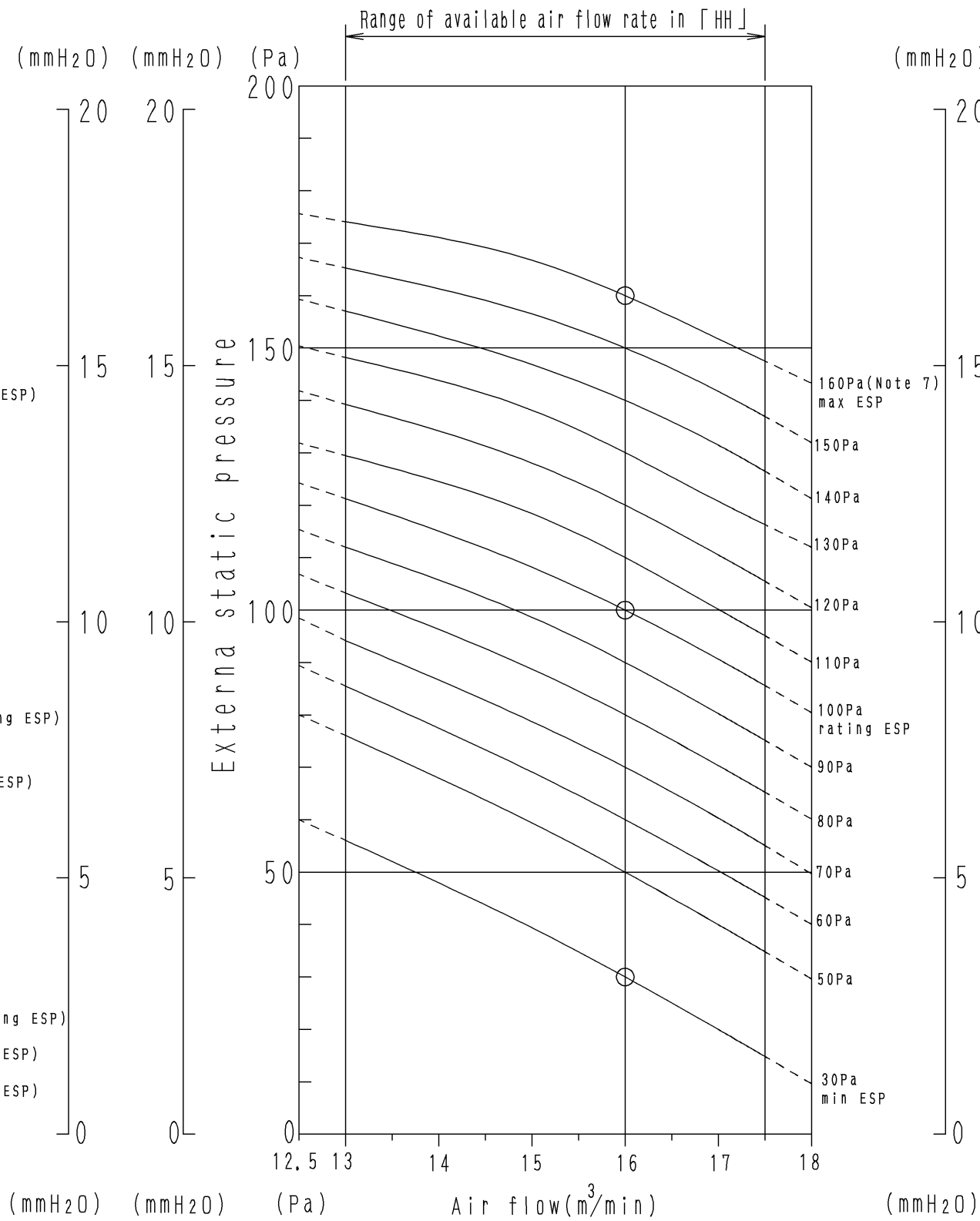


DWG. NO. 3D060456A  
図 種

Fan characteristics ①



Fan characteristics ②  
(For field setting of remote controller)



- Notes:
- As for this machine, setting is possible by 13 position of ESP.
  - Fan characteristics ① shows a fan characteristic at the time of the "maximum ESP", "rating ESP", "minimum ESP" as a representative.
  - Fan characteristics ② (for field setting of remote controller) shows a fan characteristic of each ESP of field setting possible air flow "HH".
  - Please choose ESP setting by using Fan characteristics ① and Fan characteristics ② by the resistance of a connected duct.
  - The remote controller can be used to change "HH", "H" and "L".
  - ESP: external static pressure
  - The value in this figure shows ESP in rating air flow.
  - Please set the external static pressure of the suction duct at 150Pa or less.

登録DAPICS  
(○で囲む)  
00・10・20・  
50・60・70

08/05/15  
注記追加  
ADDITION OF NOTE

高倉SW135  
配布先  
K・G・N・◎・包

尺 度  
SCALE  
作成日  
DATE 08.01.17  
受注番号  
ORDER NO.  
製作数  
QUANT.

**ダイキン工業株式会社**  
**DAIKIN INDUSTRIES, LTD.**

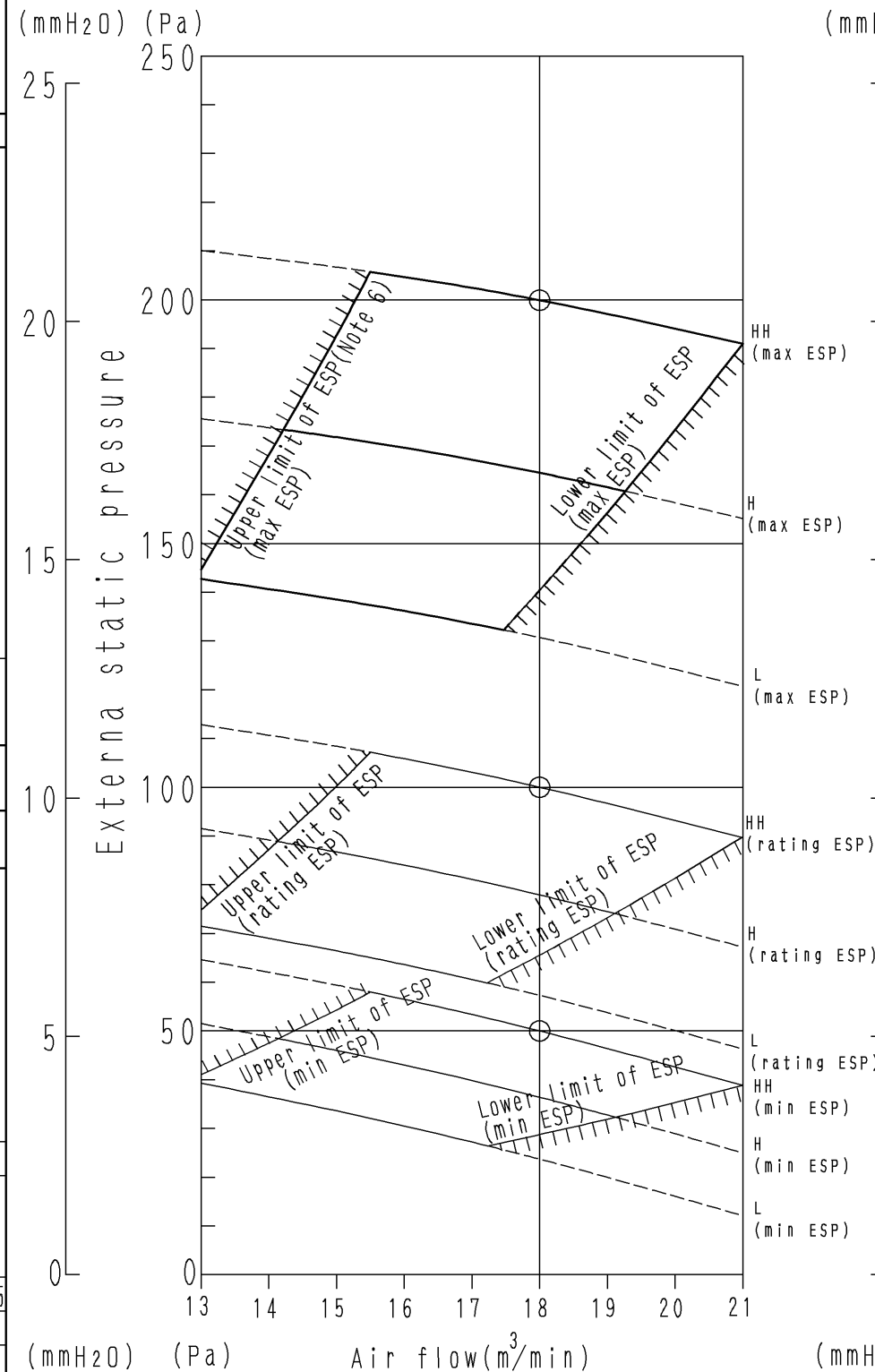
APPROVED	CHECKED	DESIGNED	DRAWN
藤倉	梶田	西	DE002

名 VRV AIR CONDITIONER INDOOR UNIT  
CEILING-MOUNTED DUCT TYPE  
FXMQ40PVE  
FAN CHARACTERISTICS(1)

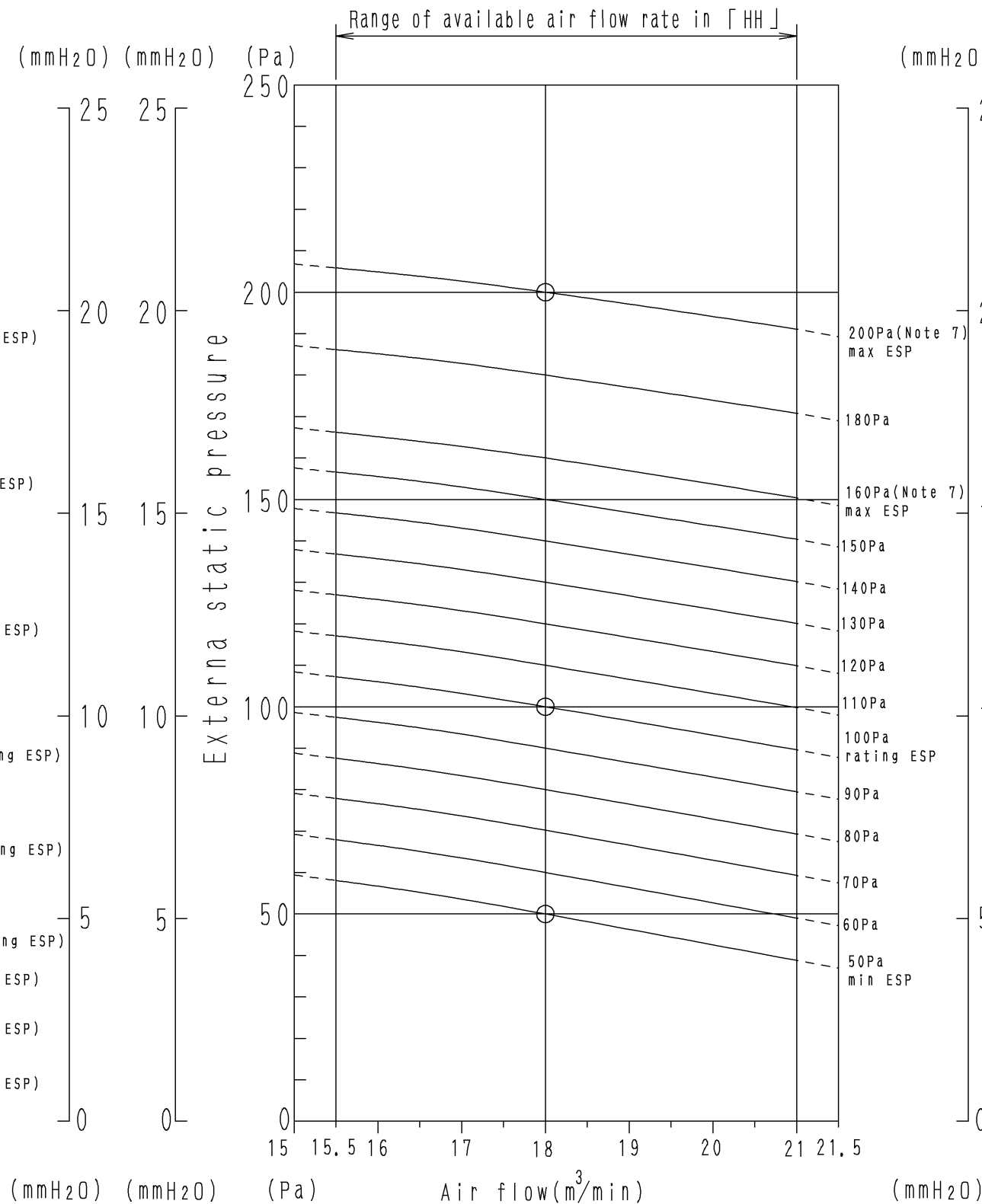
図番 DWG. NO. 3D060456A  
部品コード PART CODE 944000

DWG. NO. 3D060457B  
図種

Fan characteristics ①



Fan characteristics ②  
(For local setting of remote controller)



Notes:

- As for this machine, setting is possible by 14 position of ESP.
- Fan characteristics ① shows a fan characteristic at the time of the "maximum ESP", "rating ESP", "minimum ESP" as a representative.
- Fan characteristics ② (for field setting of remote controller) shows a fan characteristic of each ESP of field setting possible air flow "HH".
- Please choose ESP setting by using Fan characteristics ① and Fan characteristics ② by the resistance of a connected duct.
- The remote controller can be used to change "HH", "H" and "L".
- ESP: external static pressure
- The value in this figure shows ESP in rating air flow.
- Please set the external static pressure of the suction duct at 150Pa or less.

登録DAPICS  
(○で囲む)  
00・10・20・  
50・60・70

08/05/15  
注記追加  
ADDITION OF NOTE

高倉SW135  
08/02/08  
データ見直し  
BY REVIEW THE DATA

西 DE002  
配布先  
K・G・N・◎・包

尺 度  
SCALE  
作成日  
DATE 08.01.17  
受注番号  
ORDER NO.  
製作数  
QUANT.

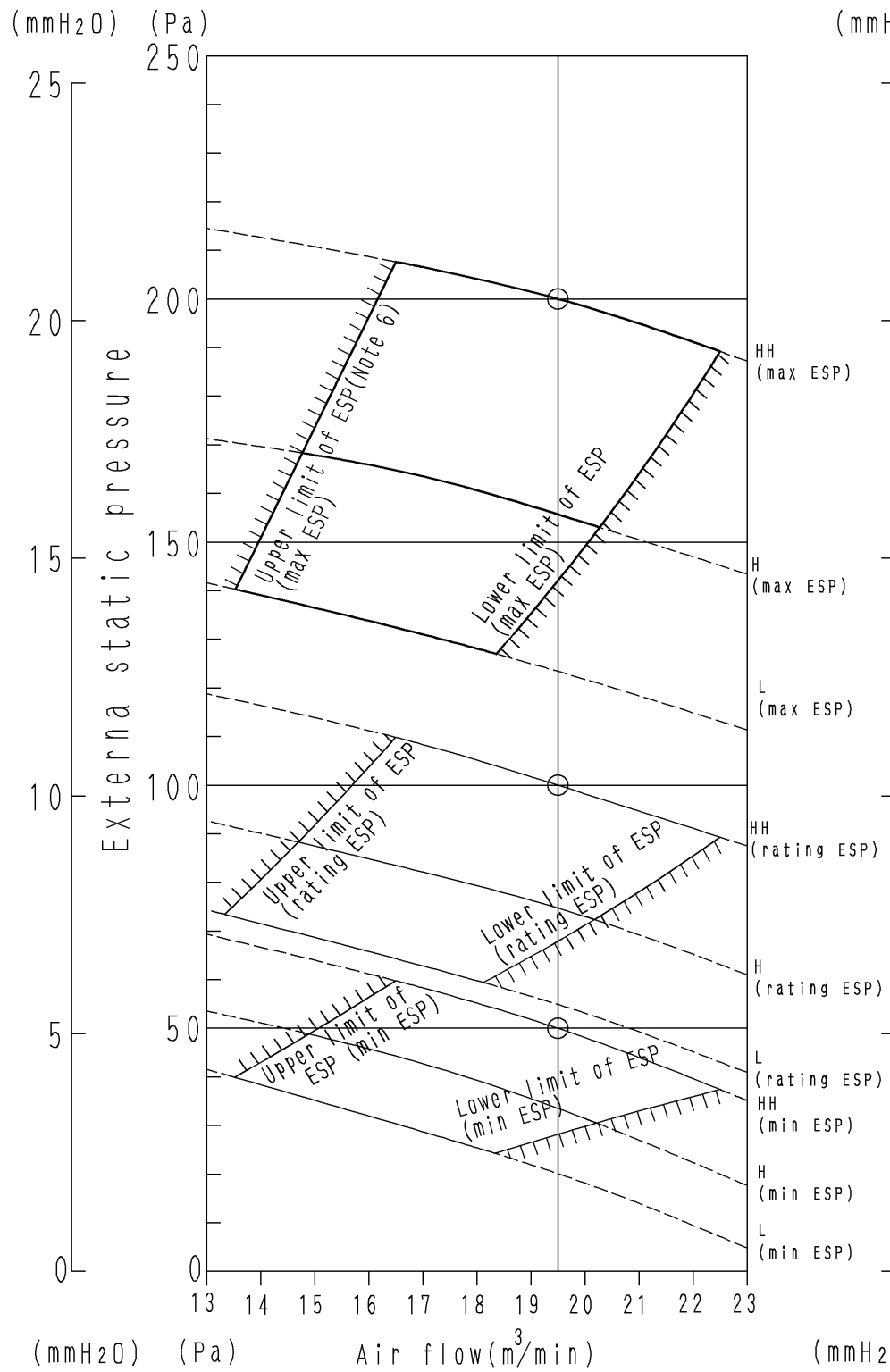
ダイキン工業株式会社  
DAIKIN INDUSTRIES, LTD.

APPROVED 藤倉  
CHECKED 榎田  
DESIGNED 西  
DRAWN DE002

名 VRV AIR CONDITIONER INDOOR UNIT  
CEILING-MOUNTED DUCT TYPE  
FXMQ50PVE  
称  
図番 DWG. NO. 3D060457B  
部品コード PART CODE 944000  
FAN CHARACTERISTICS(1)

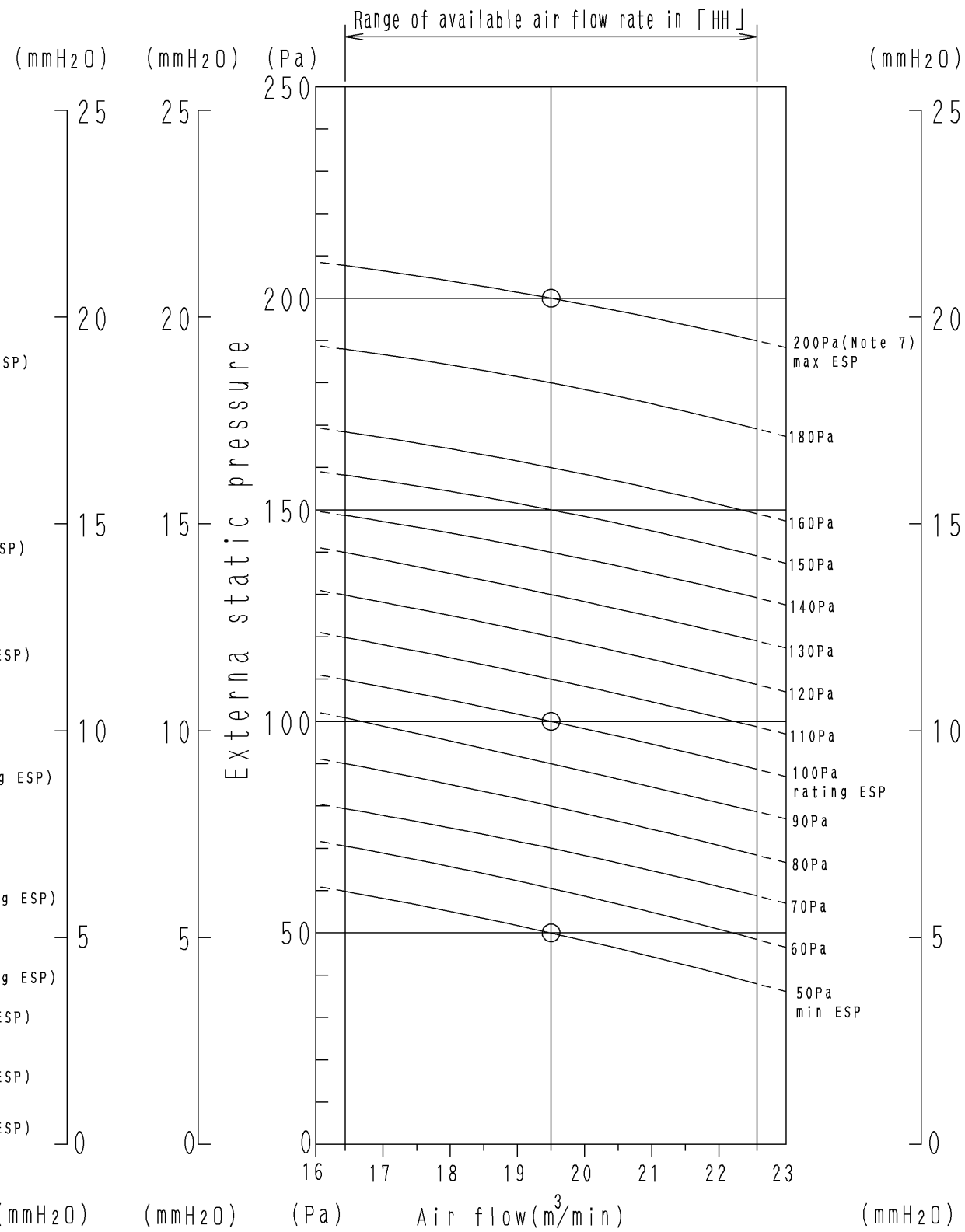
DWG. NO. 3D060458A  
図 種

Fan characteristics ①



Fan characteristics ②

(For local setting of remote controller)



- Notes:
- As for this machine, setting is possible by 14 position of ESP.
  - Fan characteristics ① shows a fan characteristic at the time of the "maximum ESP", "rating ESP", "minimum ESP" as a representative.
  - Fan characteristics ② (for field setting of remote controller) shows a fan characteristic of each ESP of field setting possible air flow "HH".
  - Please choose ESP setting by using Fan characteristics ① and Fan characteristics ② by the resistance of a connected duct.
  - The remote controller can be used to change "HH", "H" and "L".
  - ESP: external static pressure
  - The value in this figure shows ESP in rating air flow.
  - Please set the external static pressure of the suction duct at 150Pa or less.

登録DAPICS  
(○で囲む)  
00・10・20・  
50・60・70

△  
08/05/15  
注記追加  
ADDITION OF NOTE

高倉SW135  
配布先  
K・G・N・◎・包

尺 度  
SCALE  
作成日  
DATE 08.01.17  
受注番号  
ORDER NO.  
製作数  
QUANT.

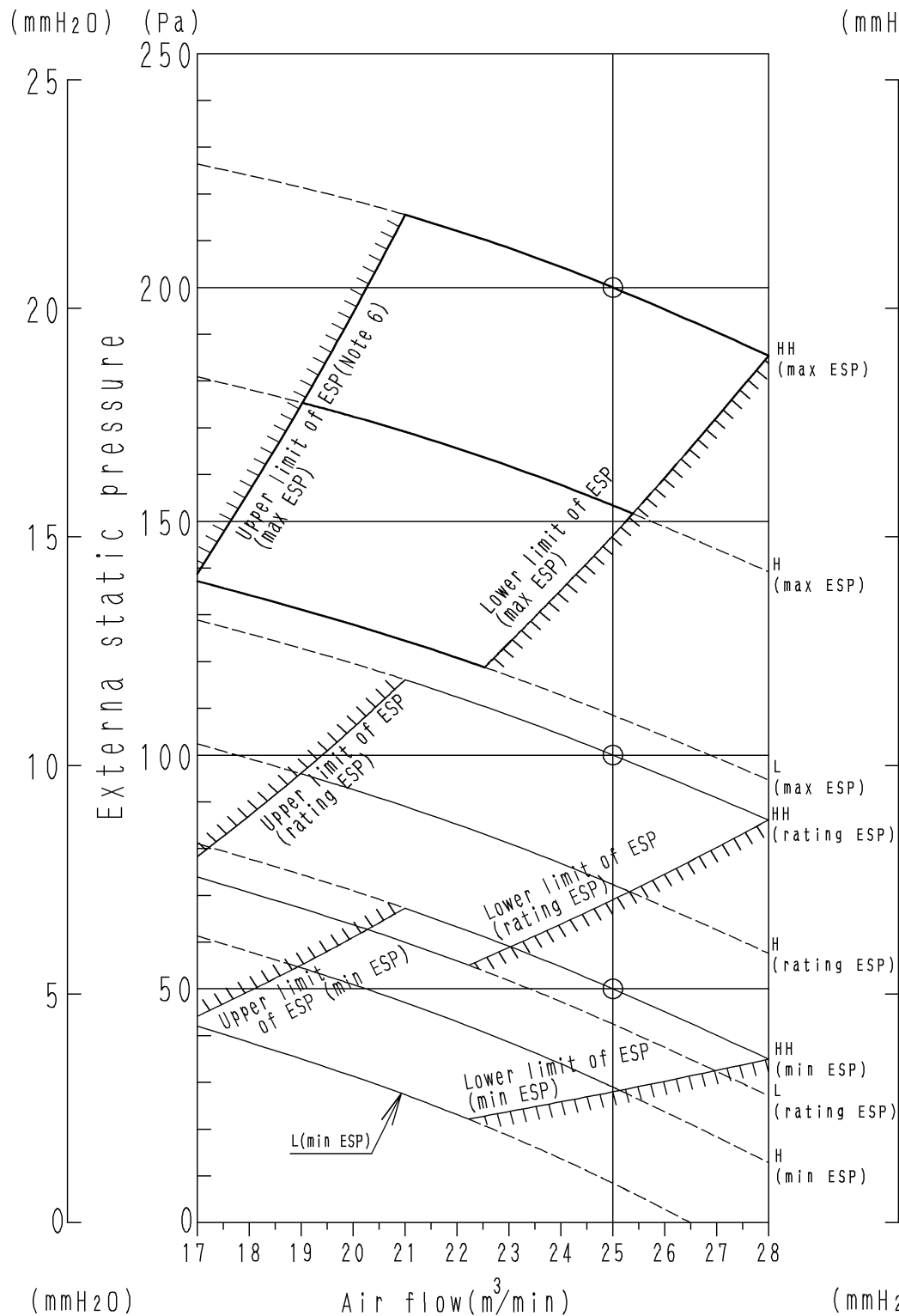
**ダイキン工業株式会社**  
**DAIKIN INDUSTRIES, LTD.**

APPROVED	CHECKED	DESIGNED	DRAWN
藤倉	梶田	西	DE002

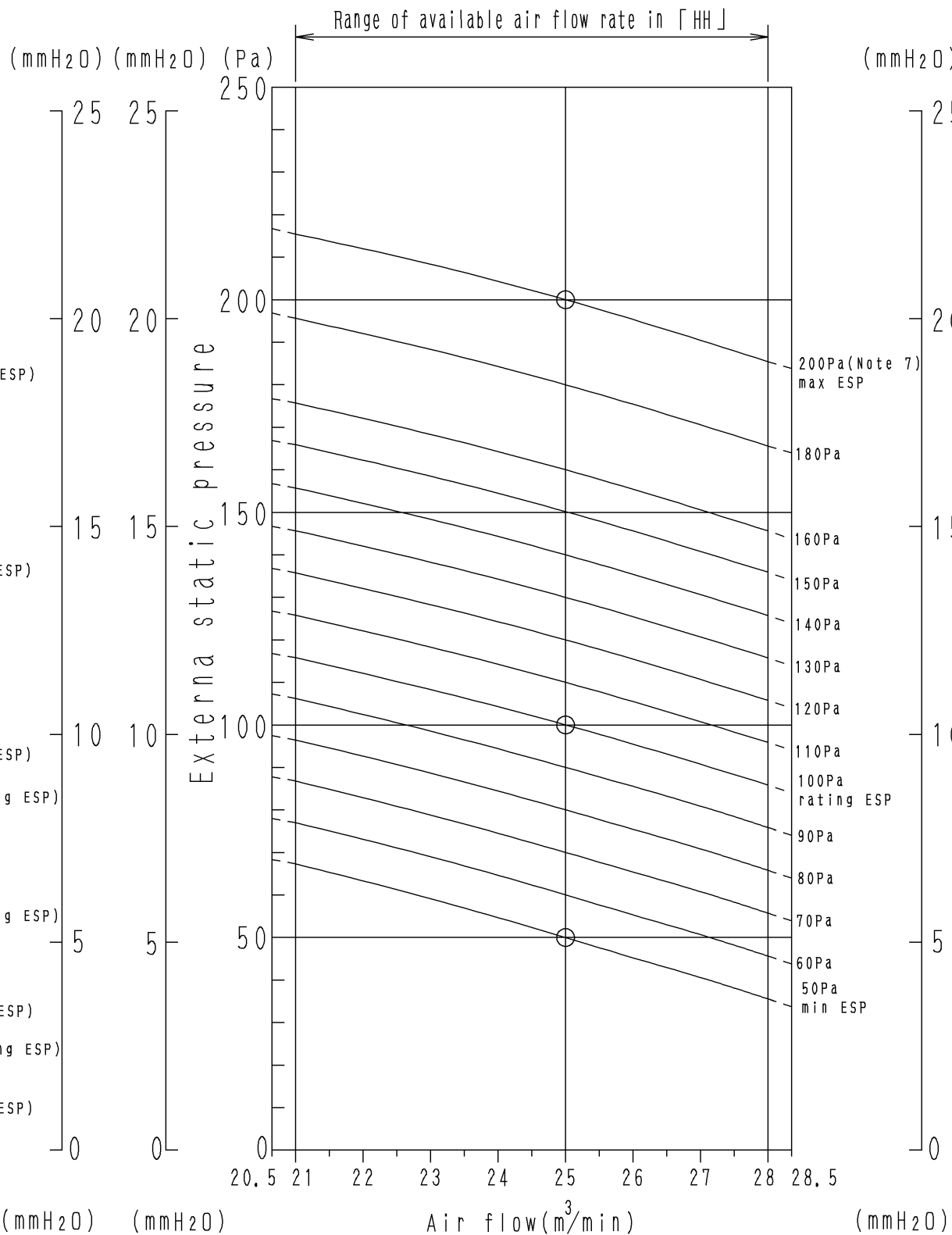
名 VRV AIR CONDITIONER INDOOR UNIT  
CEILING-MOUNTED DUCT TYPE  
FXMQ63PVE  
称  
FAN CHARACTERISTICS(1)  
DWG. NO. 3D060458A  
部品コード  
PART CODE 944000

DWG. NO. 3D060459A  
図 種

Fan characteristics ①



Fan characteristics ②  
(For local setting of remote controller)



Notes:

- As for this machine, setting is possible by 14 position of ESP.
- Fan characteristics ① shows a fan characteristic at the time of the "maximum ESP", "rating ESP", "minimum ESP" as a representative.
- Fan characteristics ② (for field setting of remote controller) shows a fan characteristic of each ESP of field setting possible air flow "HH".
- Please choose ESP setting by using Fan characteristics ① and Fan characteristics ② by the resistance of a connected duct.
- The remote controller can be used to change "HH", "H" and "L".
- ESP: external static pressure
- The value in this figure shows ESP in rating air flow.
- Please set the external static pressure of the suction duct at 150Pa or less.

登録DAPICS  
(○で囲む)  
00・10・20・  
50・60・70

△ 08/05/15  
注記追加  
ADDITION OF NOTE

高倉SW135  
配布先  
K・G・N・◎・包

尺 度  
SCALE  
作成日  
DATE  
08. 1. 17  
受注番号  
ORDER NO.  
製作数  
QUANT.

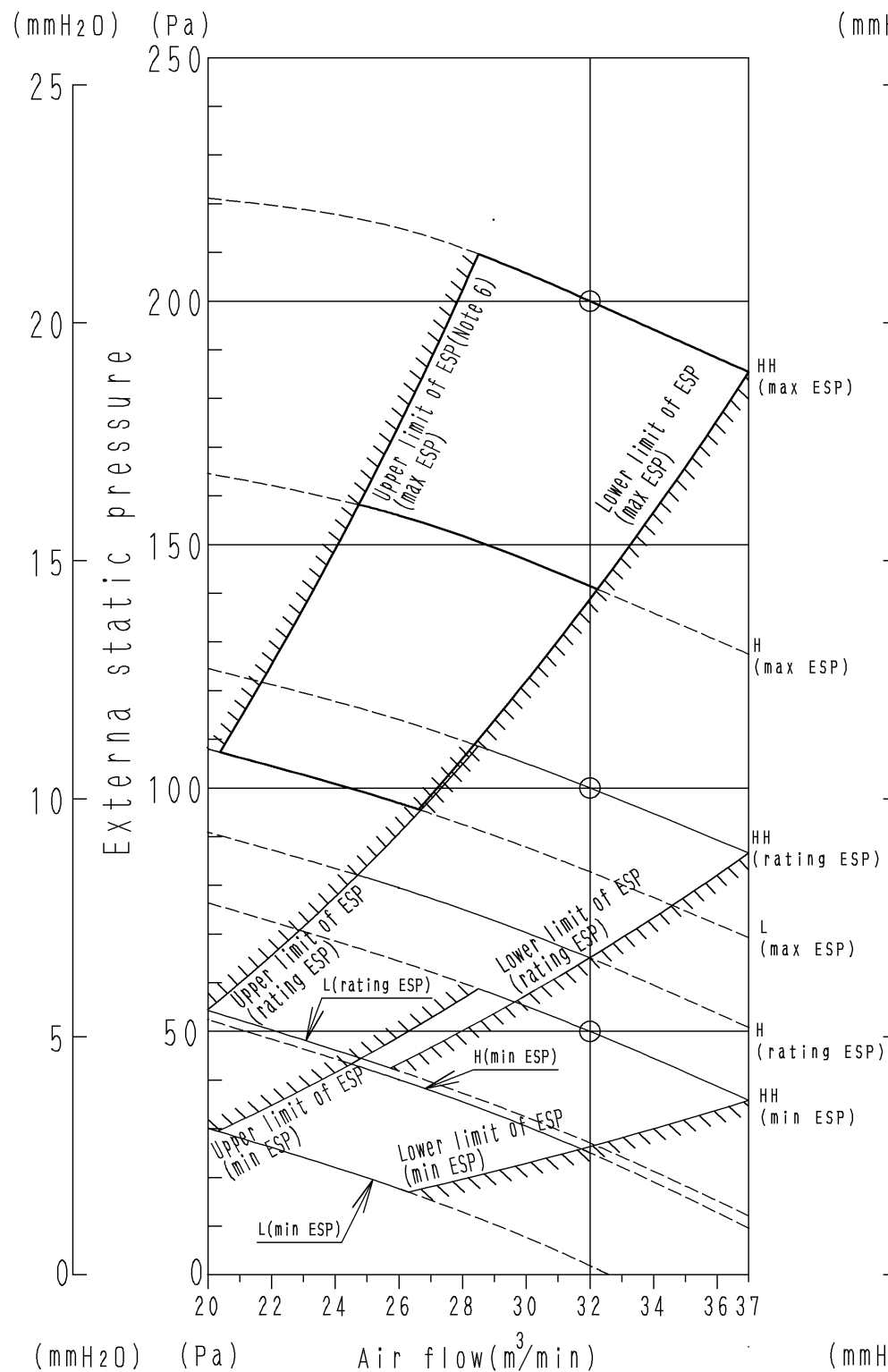
**ダイキン工業株式会社**  
**DAIKIN INDUSTRIES, LTD.**

APPROVED  
CHECKED  
DESIGNED  
DRAWN  
藤倉  
榎田  
西  
DE002

名 VRV AIR CONDITIONER INDOOR UNIT  
CEILING-MOUNTED DUCT TYPE  
FXMQ80PVE  
称  
FAN CHARACTERISTICS(1)  
DWG. NO. 3D060459A  
部品コード  
PART CODE 944000

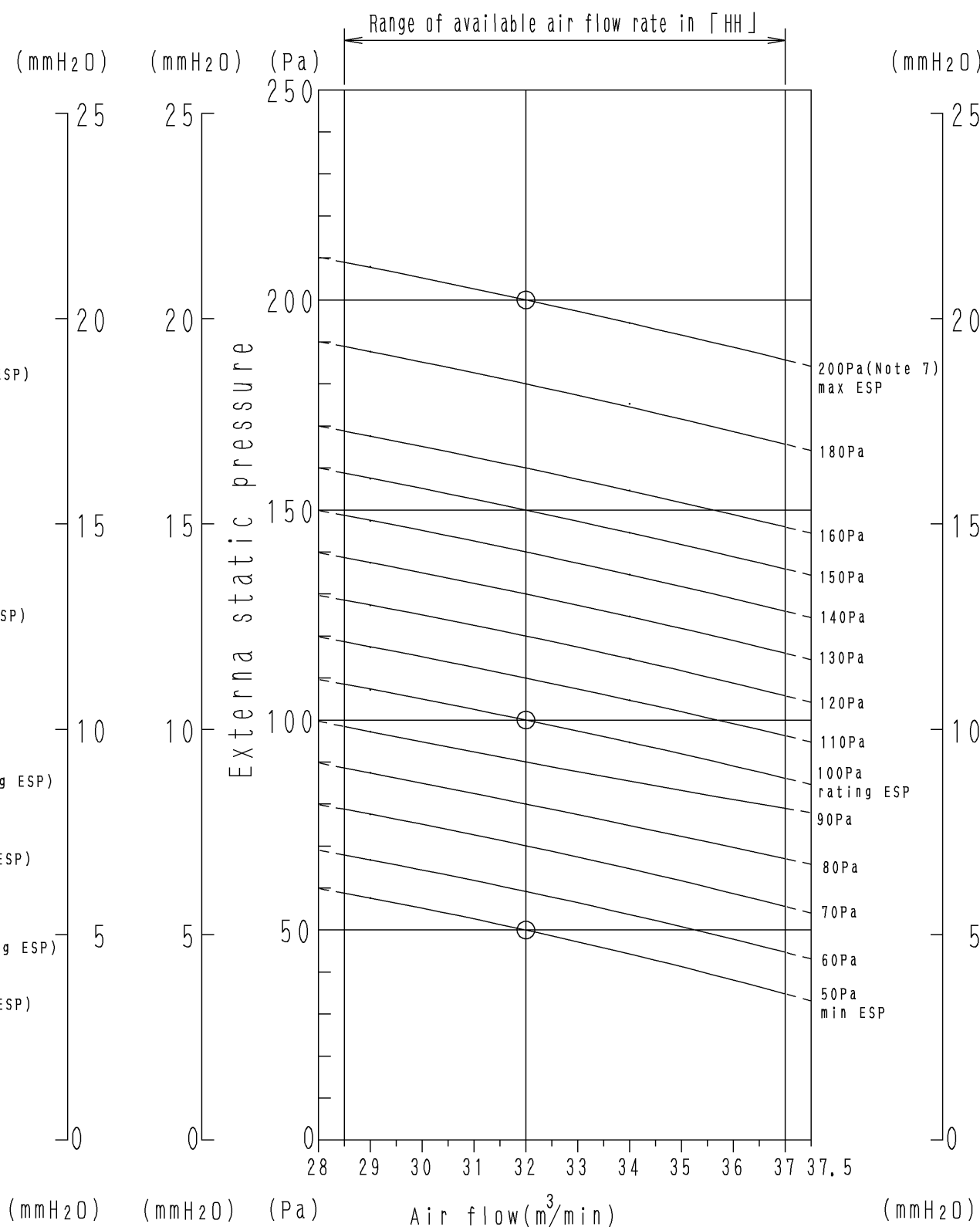
DWG. NO. 3D060460A  
図 種

Fan characteristics ①



Fan characteristics ②

(For local setting of remote controller)



Notes:

- As for this machine, setting is possible by 14 position of ESP.
- Fan characteristics ① shows a fan characteristic at the time of the "maximum ESP", "rating ESP", "minimum ESP" as a representative.
- Fan characteristics ② (for field setting of remote controller) shows a fan characteristic of each ESP of field setting possible air flow "HH".
- Please choose ESP setting by using Fan characteristics ① and Fan characteristics ② by the resistance of a connected duct.
- The remote controller can be used to change "HH", "H" and "L".
- ESP: external static pressure
- The value in this figure shows ESP in rating air flow.
- Please set the external static pressure of the suction duct at 150Pa or less.

登録DAPICS  
(○で囲む)  
00・10・20・  
50・60・70

08/05/15  
注記追加  
ADDITION OF NOTE

高倉SW135  
配布先  
K・G・N・◎・包

尺 度  
SCALE  
作成日  
DATE 08.01.18  
受注番号  
ORDER NO.  
製作数  
QUANT.

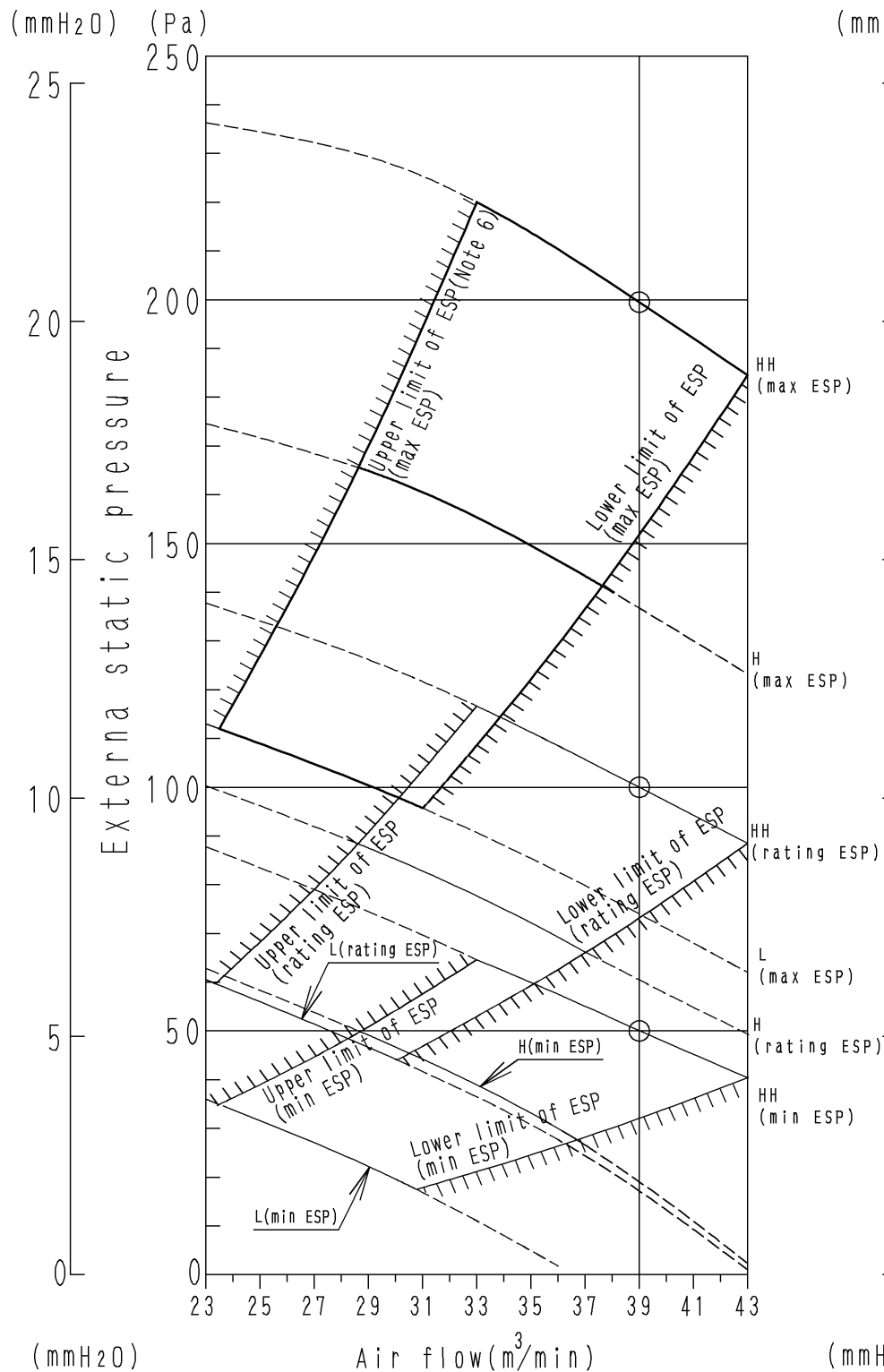
ダイキン工業株式会社  
DAIKIN INDUSTRIES, LTD.

APPROVED 藤倉  
CHECKED 榎田  
DESIGNED 西  
DRAWN DE002

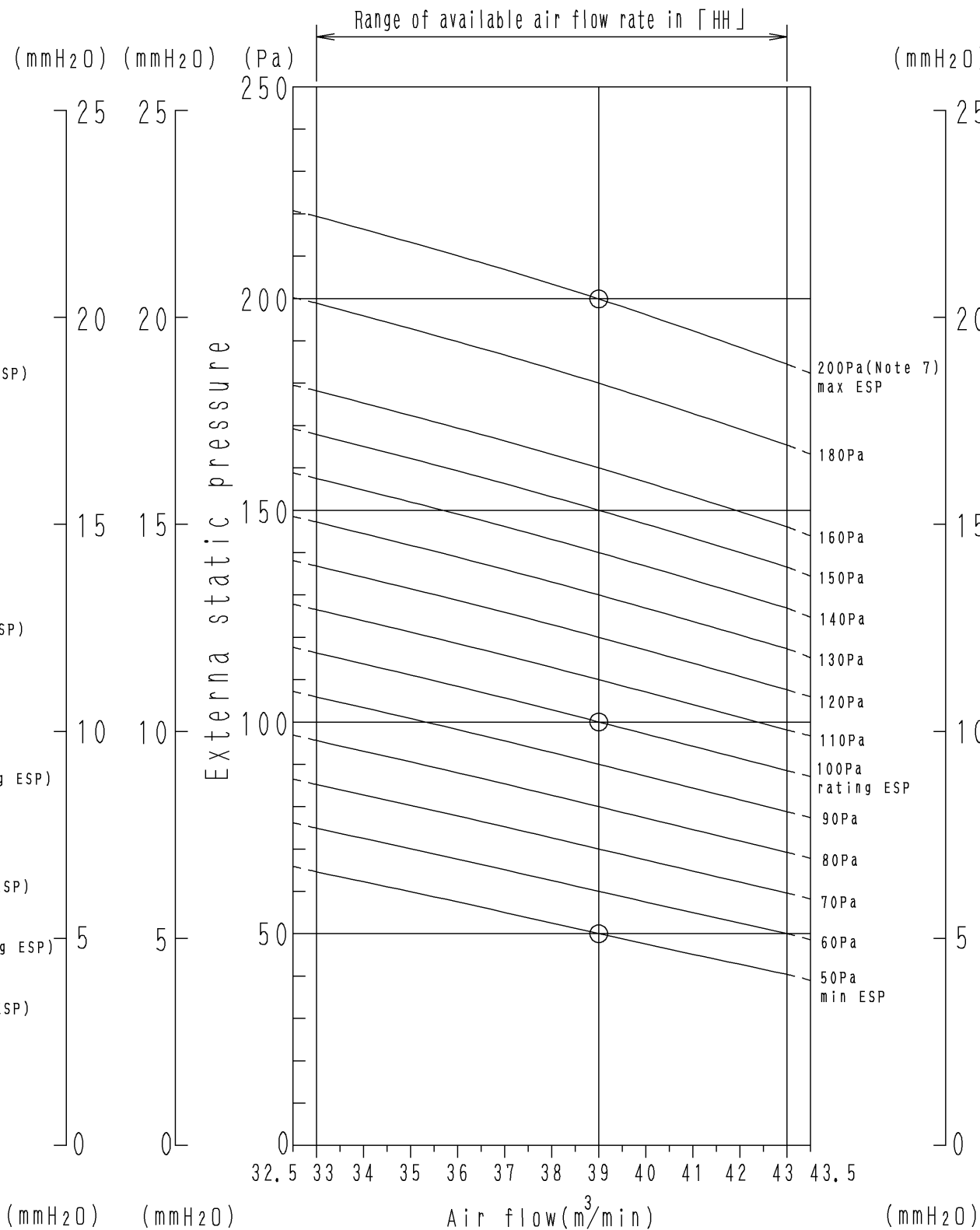
名 VRV AIR CONDITIONER INDOOR UNIT  
CEILING-MOUNTED DUCT TYPE  
FXMQ100PVE  
FAN CHARACTERISTICS(1)  
DWG. NO. 3D060460A  
部品コード PART CODE 944000

DWG. NO. 3D060461A  
図 軸

Fan characteristics ①



Fan characteristics ②  
(For local setting of remote controller)



Notes:

1. As for this machine, setting is possible by 14 position of ESP.
2. Fan characteristics ① shows a fan characteristic at the time of the "maximum ESP" "rating ESP" "minimum ESP" as a representative.
3. Fan characteristics ② (for field setting of remote controller) shows a fan characteristic of each ESP of field setting possible air flow "HH".
4. Please choose ESP setting by using Fan characteristics ① and Fan characteristics ② by the resistance of a connected duct.
5. The remote controller can be used to change "HH" "H" and "L".
6. ESP: external static pressure
7. The value in this figure shows ESP in rating air flow.
8. Please set the external static pressure of the suction duct at 150Pa or less.

登録DAPICS  
(○で囲む)  
00・10・20・  
50・60・70

08/05/15

注記追加

ADDITION OF NOTE

高倉SW135

配布先

K・G・N・◎・包

尺 度 SCALE	
作 成 日 DATE	YR MO DA 08. 1. 17
受 注 番 号 ORDER NO.	
製 作 数 QUANT.	

**ダイキン工業株式会社**  
**DAIKIN INDUSTRIES, LTD.**

APPROVED	CHECKED	DESIGNED	DRAWN
藤倉	梶田	西	DE002

名	VRV AIR CONDITIONER INDOOR UNIT CEILING-MOUNTED DUCT TYPE		
称	FXMQ125PVE FAN CHARACTERISTICS(1)		
図 番	DWG. NO.	部品コード PART CODE	
	3D060461A	944000	